

MTG-GL-167

REPLACES
DRAWING NUMBER
1 1
ISSUE

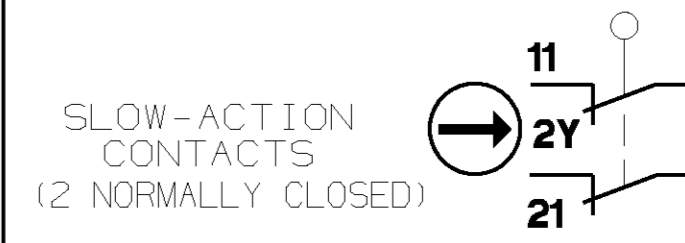
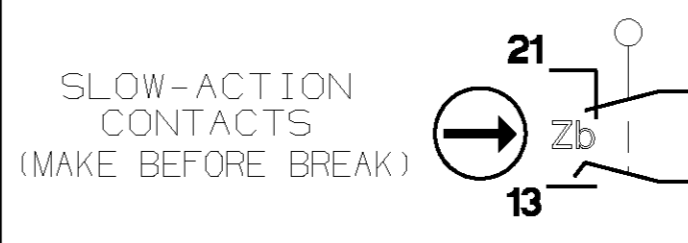
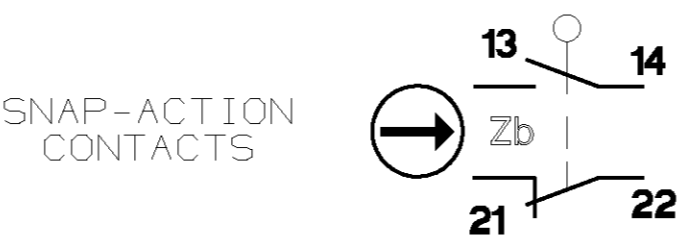
RELEASE NUMBER
AO18-38

REVISONS
6 9/96
AO18-275
7 12/96
AO18-293
8 7/97
CO-000083
9 8/97
CO-000106
10 2/98
CO-000288
11 CO/395
I WEIR 6/98

Honeywell

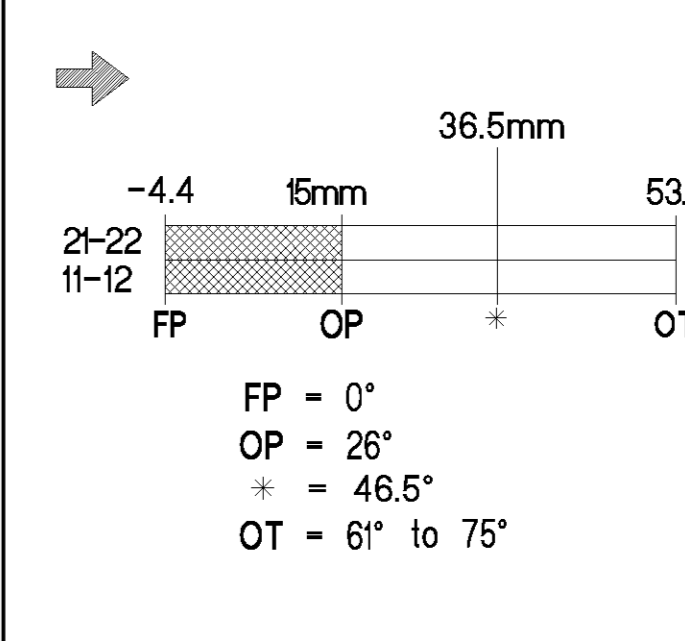
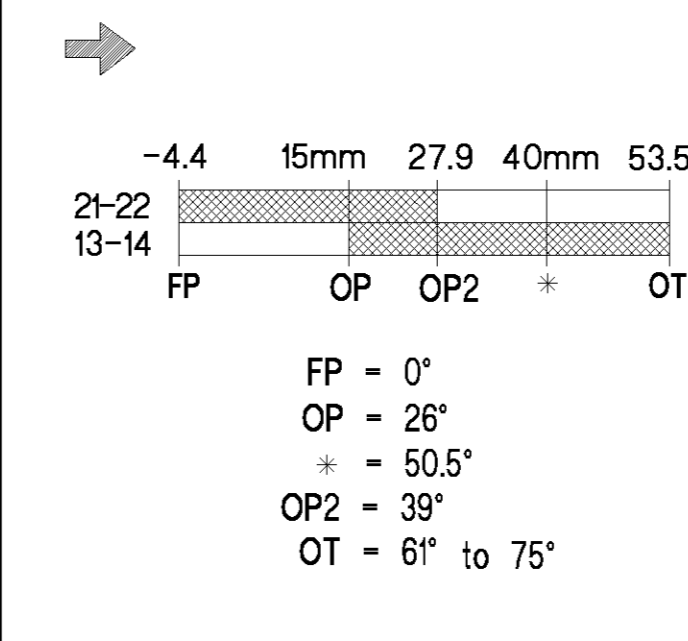
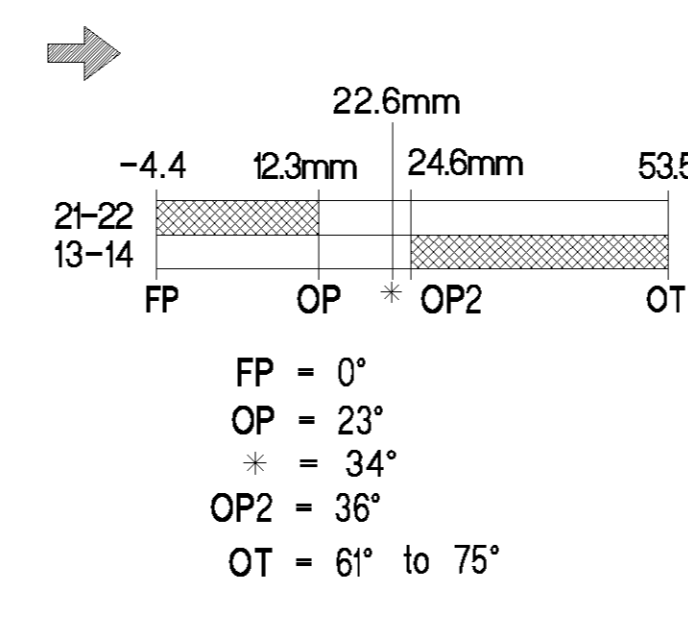
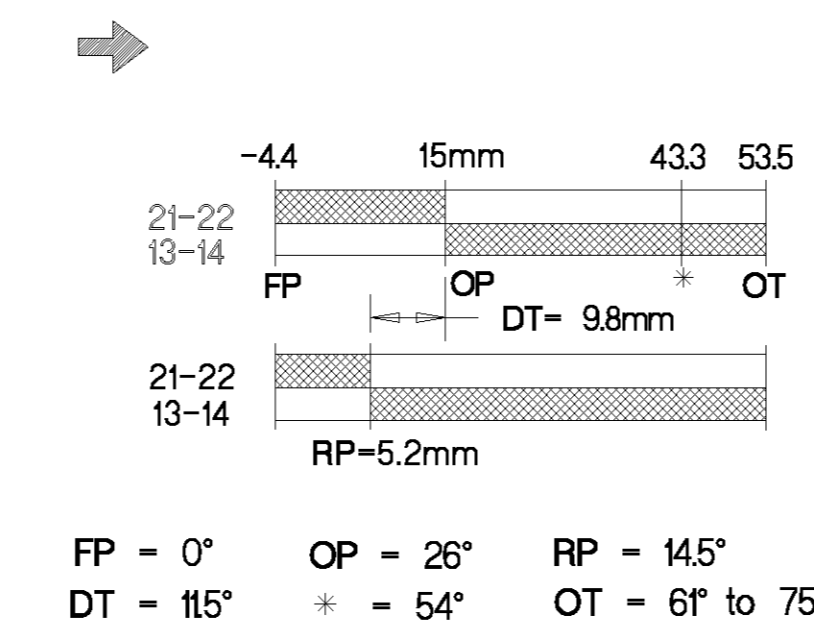
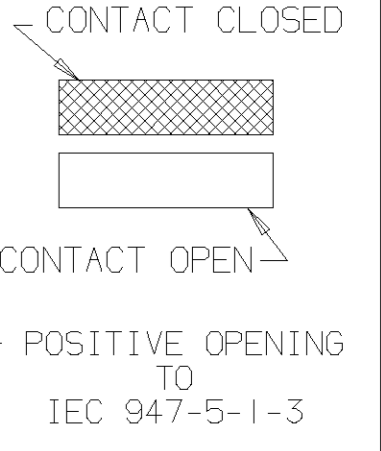
LIMIT SWITCH

CATALOGUE LISTING
GLS
CHART NO.
MTG-GL-167



CONTACT BLOCK
DIAGRAM
TERMINAL
DESIGNATION
TO EN 50013

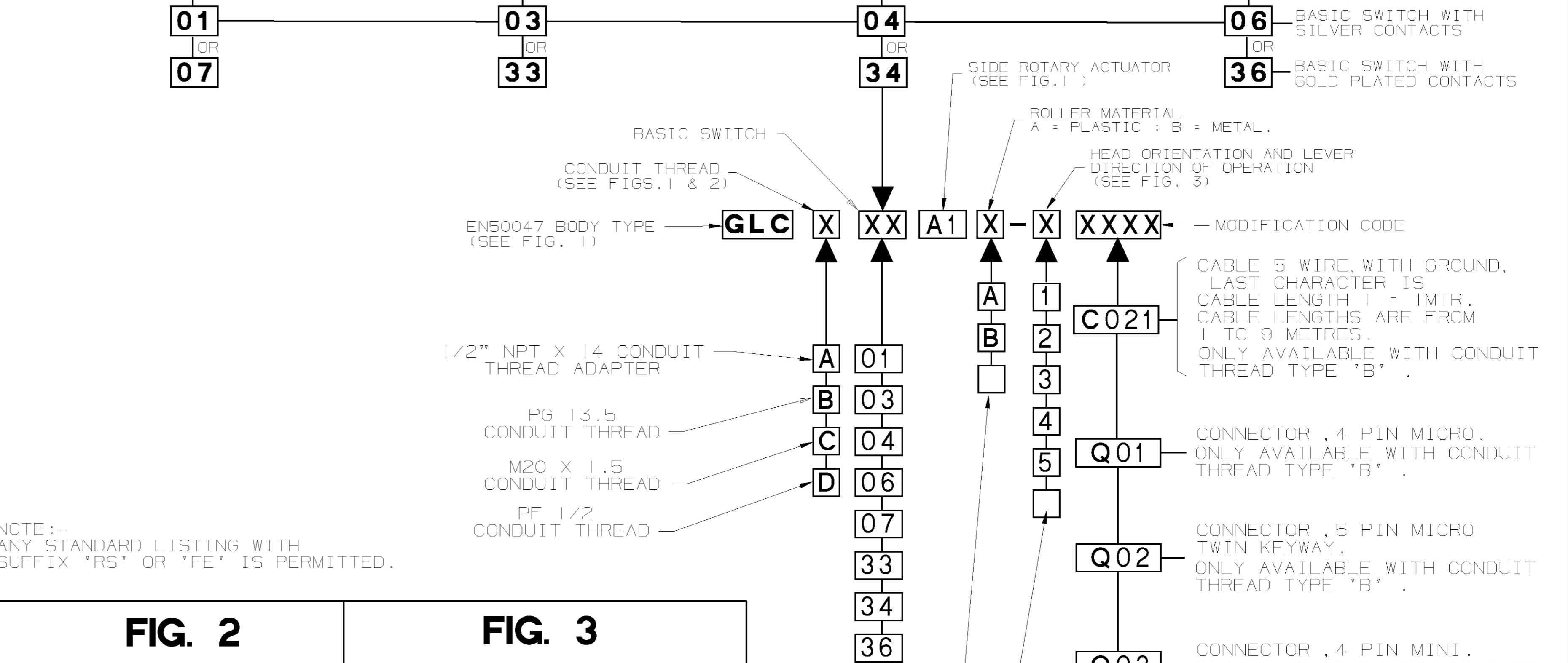
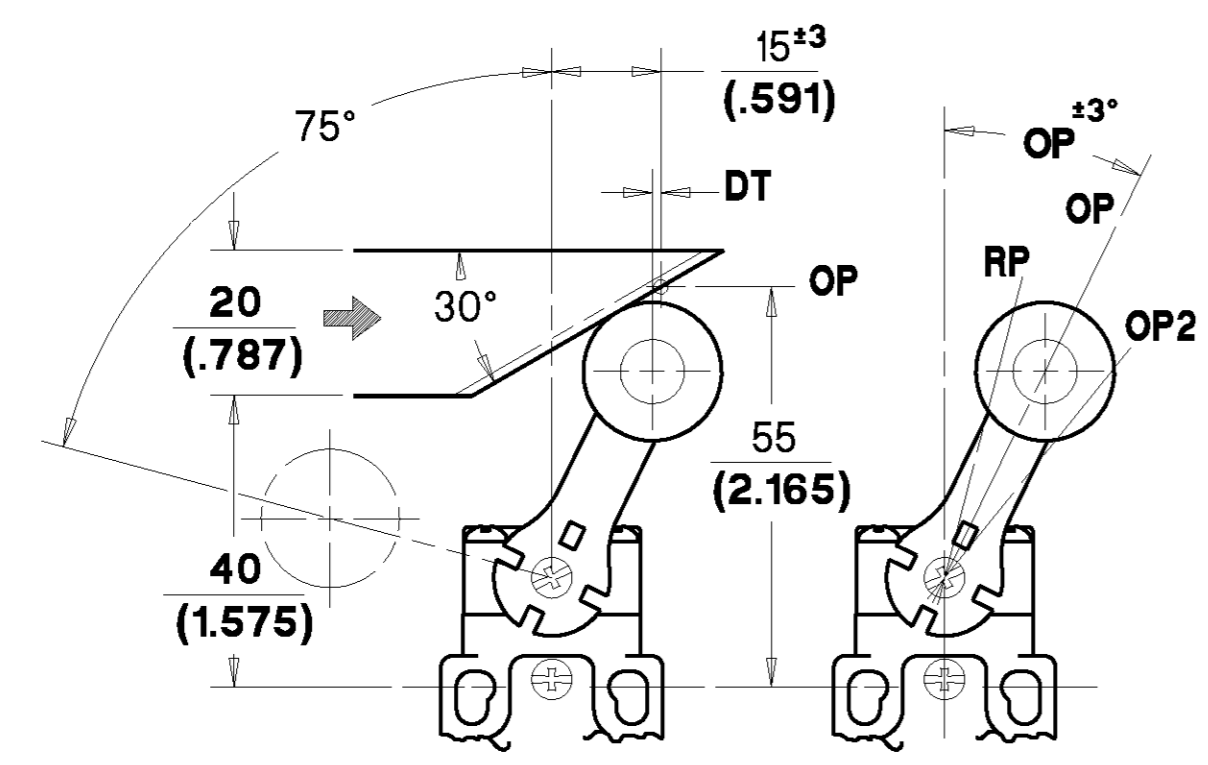
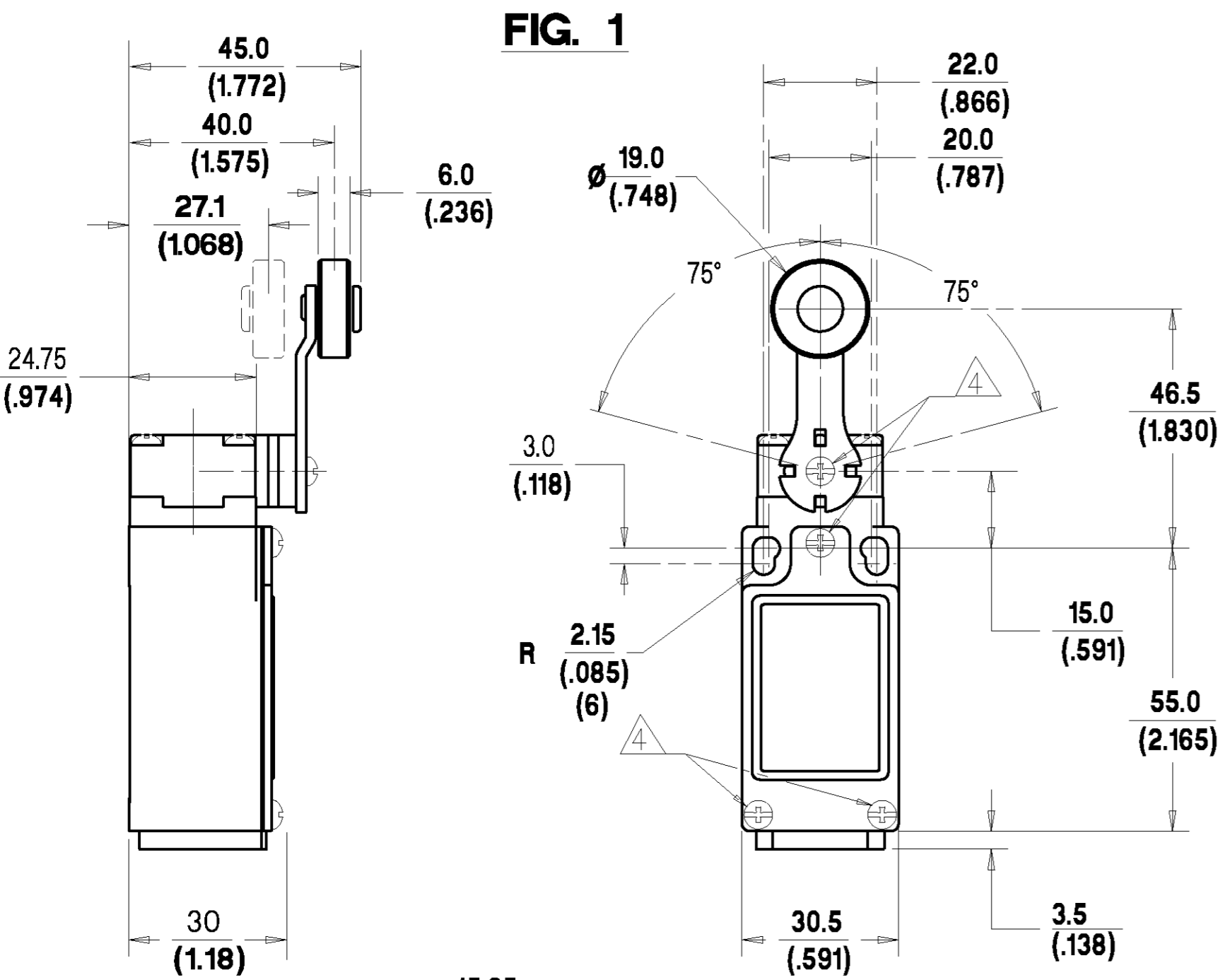
NOMINAL TRAVELS
AND RELATED
TERMINALS



120 (1.1)	110 (1.0)	110 (1.0)	110 (1.0)
140 (1.3)	160 (1.5)	170 (1.6)	150 (1.4)

NORMAL OPERATING TORQUE MAX	Nmm (in.lbs)
MAXIMUM DISCONNECT TORQUE	Nmm (in.lbs)

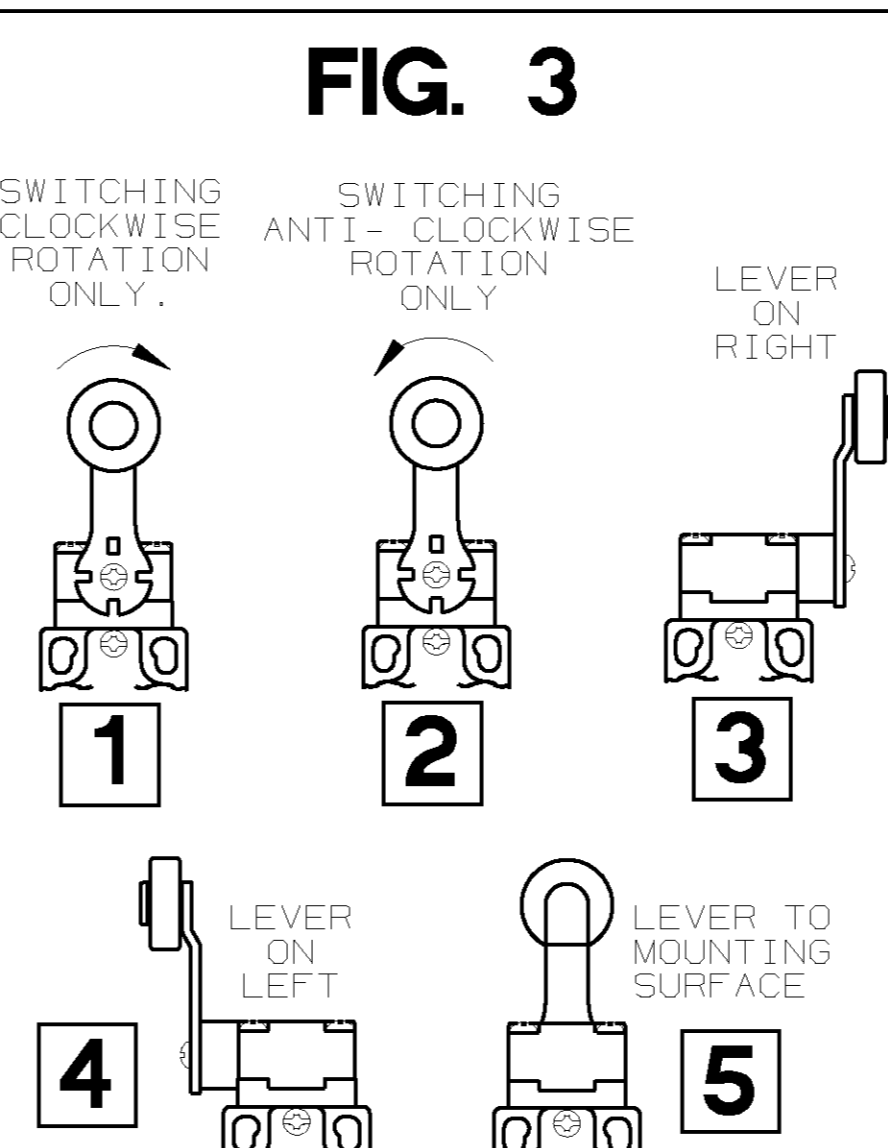
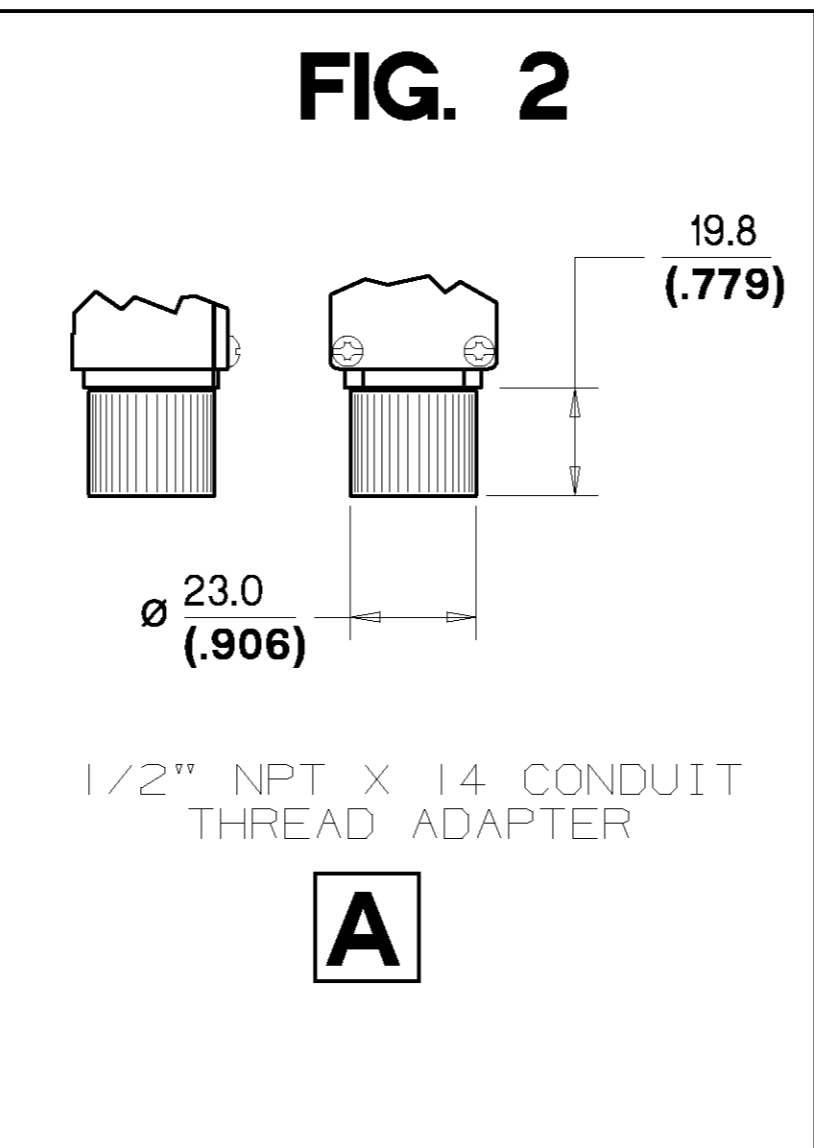
REVISIONS
6 9/96
AO18-275
7 12/96
AO18-293
8 7/97
CO-000083
9 8/97
CO-000106
10 2/98
CO-000288
11 CO/395
I WEIR 6/98



NOTES:-
 1. ZINC DIECAST BODY AND HEAD WITH STEEL COVER. BODY AND COVER FINISHED IN MICRO SWITCH BLUE EPOXY PAINT. HEAD FINISHED IN BLACK EPOXY PAINT.
 2. MINIMUM OPERATING VELOCITY (V_{min}) = 2.0 MM/S (THESE LIMITS APPLY TO CAM OPERATION AS SHOWN IN THE ABOVE DIAGRAMS ONLY)
 MAXIMUM OPERATING VELOCITY (V_{max}) = 200 MM/S
 MAXIMUM OPERATING FREQUENCY (F_{max}) = 250 OPS/MIN
 3. FREE POSITION (FP), OPERATING POINT (OP), OVERTRAVEL (OT) AND PRETRAVEL (PT) ALL TO EN50047.
 4. MAXIMUM TIGHTENING TORQUE FOR FIXING SCREW = 0.5Nm (4.4in.LB)

NO CHANGES CAN BE MADE TO THIS DRAWING WITHOUT JOINT NEWHOUSE/FREEPORT APPROVAL

NOTE:- ANY STANDARD LISTING WITH SUFFIX 'RS' OR 'FE' IS PERMITTED.



BLANK = NO ROLLER FITTED.
 BLANK = LEVER TO FRONT, SWITCHING IN BOTH DIRECTIONS.

NOTE:
FOR CONNECTION DIAGRAMS AND ADDITIONAL ELECTRICAL ENVIRONMENTAL & DIMENSIONAL INFORMATION SEE DRAWING GL-4922.

DRAWN M. LOCH	CHECK I. WEIR	DESIGN J. BOYD	AUTHOR P. TRICKETT	STANDARD SILVER CONTACTS		GOLD PLATED CONTACTS		ENVIRONMENTAL	APPROVALS
				ELECTRICAL RATING		ELECTRICAL RATING			
AC		DC		IP66 NEMA 1, 4, 12, 13		I _{th} = 10A		UL	
A300	AC15	O300	DC13	TEMP RANGE : -25°C TO 85°C -13°F TO 185°F		IV 10μA MIN.			
U _e I _e		U _e I _e		STORAGE : -40°C TO 85°C -40°F TO 185°F		50V 100mA MAX.		IEC 947-5-1 EN50047	
VOLTS AMPS		VOLTS AMPS		SHOCK : 50G PER IEC 68-2-27					
120 6		125 0.55		VIBRATION : 10G PER IEC 68-2-6					
240 3		250 0.27							

THE COPYRIGHT OF THIS DRAWING IS THE PROPERTY OF HONEYWELL LTD. THE DRAWING IS SUPPLIED IN CONFIDENCE AND MUST NOT BE USED FOR ANY PURPOSE OTHER THAN THAT FOR WHICH IT IS SUPPLIED.
 THIRD ANGLE PROJECTION
 SCALE: 1:1
 DIMENSIONS ARE IN MM/INCHES.
 MODIFY ON CAD SYSTEM ONLY